

268
HANDHELD CASES

292
UNIVERSAL ENCLOSURES

318
HEAVY DUTY AND ELECTRICAL ENCLOSURES

342
DESKTOP AND INSTRUMENT CASES

348
DEVELOPMENT BOARD ENCLOSURES

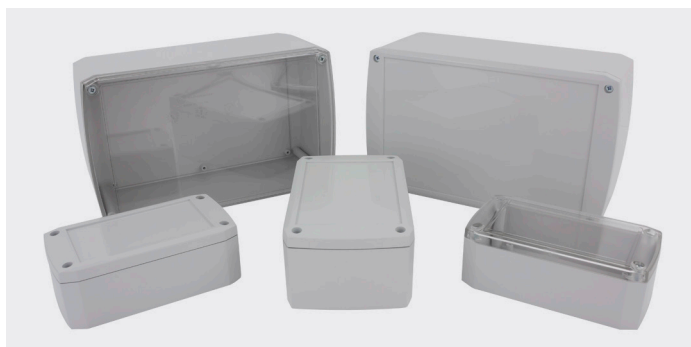
367
VERSATILE IOT AND SENSOR ENCLOSURES

370
CUSTOM SIZED ENCLOSURES

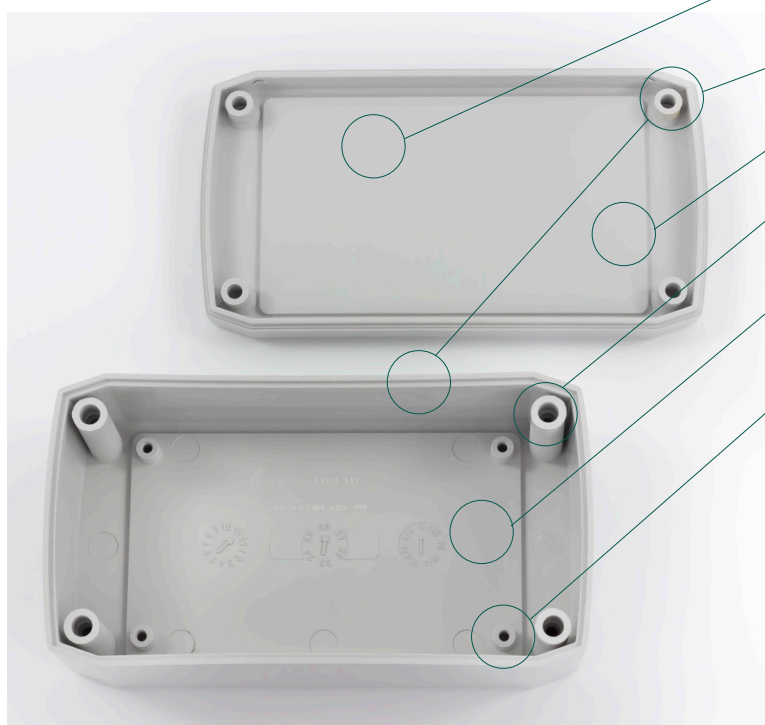
1100 Series Recessed Electronics Enclosure

Product overview

The 1100 Series Recessed Electronics Enclosure is 100% recyclable and manufactured in the UK. Designed with aesthetically pleasing external bevelled edges and smooth curved ends and straight sides, the enclosure can be used for a range of user facing electronics devices and technology in industries such as industrial, medical and IoT. The UL94-V0 rated ABS enclosure is available with either a solid grey or transparent polycarbonate lid. Both options have a recess on the top and the base to allow for membranes, keypads, overlays and digital printing. If you are looking for a high quality functional enclosure, look no further!



Key features



Two recessed sides

1.2mm recess in both the lid and base for product labels and overlays

Modern aesthetic

Bevelled edges and curved 2.5mm side walls

Two lid options

Select from either a solid grey or transparent lid

Fixing pillars

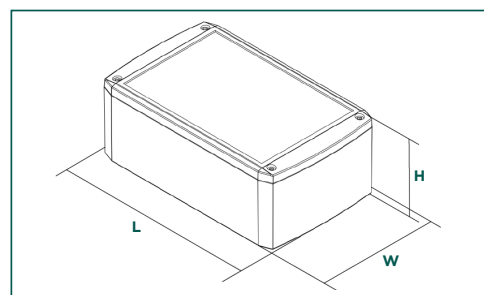
Designed to take thread forming screws (included). No inserts allows for easy recycling!

Deep profile

Maximises the internal volume for increased component and PCB space

PCB mounting

Four mounting points in the base of the enclosure

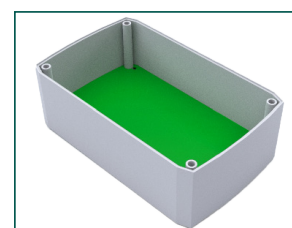


Enclosure dimensions

SIZE	LID		EXTERNAL DIMENSIONS			INTERNAL DIMENSIONS			WALL THICKNESS
	SOLID LID	TRANSPARENT LID	LENGTH	WIDTH	HEIGHT	LENGTH	WIDTH	HEIGHT	
Size 1	CSACST001	CSACTT001	90mm	50mm	35mm	85mm	45mm	2.5mm	2.5mm
Size 2	CSACST002	CSACTT002	110mm	60mm	40mm	105mm	55mm	32.5mm	2.5mm
Size 3	CSACST003	CSACTT003	125mm	75mm	50mm	120mm	70mm	42.5mm	2.5mm
Size 4	CSACST004	CSACTT004	155mm	95mm	60mm	150mm	90mm	52.5mm	2.5mm
Size 5	CSACST005	CSACTT005	190mm	115mm	75mm	185mm	150mm	67.5mm	2.5mm
Size 6	CSACST006	CSACTT006	220mm	140mm	90mm	215mm	135mm	82.5mm	2.5mm

PCB sizes positions

SIZE	MOUNTING POSITION	MAX LENGTH	MAX WIDTH	MOUNTING HOLE SPACING
Size 1	Enclosure base	82mm	43mm	58 x 30mm
Size 2	Enclosure base	101.5mm	52.5mm	75 x 40mm
Size 3	Enclosure base	114.5mm	67.5mm	90 x 55mm
Size 4	Enclosure base	143mm	88mm	118 x 75mm
Size 5	Enclosure base	177mm	108mm	152 x 95mm
Size 6	Enclosure base	205mm	132.5mm	180 x 120mm



268
HANDHELD CASES

292
UNIVERSAL
ENCLOSURES

318
HEAVY DUTY
AND ELECTRICAL
ENCLOSURES

342
DESKTOP AND
INSTRUMENT
CASES

348
DEVELOPMENT
BOARD
ENCLOSURES

367
VERSATILE IOT
AND SENSOR
ENCLOSURES

370
CUSTOM SIZED
ENCLOSURES

PLASTIC ENCLOSURES

299



RANGE SPECIFICATION

STANDARD UNIT INCLUDES	1 x base, 1 x lid, 3mm x 20mm thread-forming screw x4				
MATERIALS	Enclosure	UL94-V0 ABS			
	Solid lid	UL94-V0 ABS			
	Transparent lid	UL94-V0 polycarbonate			
	Thread-forming screws	Zinc Plated Steel			
COLOURS	Grey	RAL7035			
COMPLIANCE	RoHS compliant				
IP RATING	IP54				
OPERATING TEMPERATURE	Base	-5°C to 80°C			
	Grey lid	-5°C to 80°C			
	Transparent lid	-5°C to 120°C			
TEST RESULTS	Standard	Test	Result	Test report	
	UL94	Flammability	UL94-V0	TR113	
	EN62262	Impact test	IK06	TR111	
	EN60529	Ingress protection	IP54	N/A	
SCREW TORQUE	Lid	0.3Nm			
	PCB	0.3Nm			
PURCHASING INFORMATION	Country of origin	Great Britain (GB)			
	Commodity code	39231010			
	Weight	Size 1:	54g	Size 4:	185g
		Size 2:	76g	Size 5:	267g
		Size 3:	110g	Size 6:	325g
Enclosure type	Universal				
OPTIONS	For alternative colours and materials MOQs will apply.				

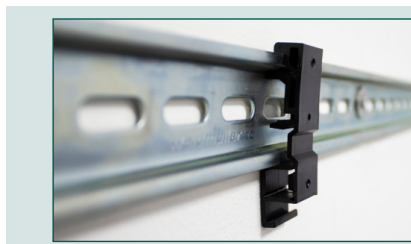
Potential industries/ applications

The 1100 Series Recessed Electronics Enclosure is ideal for use as HVAC, industrial technology, IoT, IIoT, solar controllers, sensors and monitoring equipment, desktop devices, lighting control, medical, retail, domestic and much more...

The image below represents the enclosure used in an industrial setting, operating as a flow pressure device with a smart control panel.



Accessories



DIN Rail Mount Bracket
(CDR-Bracket)



Universal Wall Mount Bracket
(CBWM-10xx)

Customisation options

Elevate your enclosure to the next level with our in-house customisation services. These include digital printing, screen printing, machining / drilling and engraving.

